

VT50 BODY-WORN CAMERA

The small and discreet VT50 & VT50-XLR delivers a simple to use and fully integrated enterprise mobile video solution.



GENERAL INFORMATION

Typical Usage	Enterprise managed incident recorder for personal and site security
Management Software	Requires VideoManager Licence or Cloud Service
Warranty	1 year return-to-manufacturer warranty For support relating to VideoManager, Software Assurance is required

SIZE AND WEIGHT

Dimensions	42mm x 42mm x 22.5mm (Including clip, 16mm without)
Weight	29g (Including clip, 27g without)

BATTERY

Battery	Integral, not user serviceable
Battery Type	Lithium Polymer
Battery Recharging Times	Typically recharges in less than 3 hours
Battery in Recording Mode	Up to 1.5 hours of recording, or up to 1 hour of live streaming & recording Can be connected to an external power pack for longer record times
Battery capacity in standby	3 months
Battery Overcharge Protection	VT50 has overcharge protection so cannot be overcharged and can be left in docking station

AUDIO

Audio Capture	Yes
---------------	-----

CAMERA FEATURES

Buttons	One button on top, which can be used to start and stop recording
Lens Capture Angle	130 degree field of view
Memory Capacity	16GB (VT50) / 128GB (VT50-XLR)
Recording Status User Notification	Audible and visual feedback

VIDEO AND RECORDING

Video Recording Format	H.264
Resolution	1280 x 720 HD
Frame Rate	30 frames per second
Recording Storage Capacity	16GB (VT50) / 128GB (VT50-XLR)

APPROVALS AND ENVIRONMENTAL

Environmental Temperature	Operating: -20°C to +40°C
Operational Rating	Charging: 0°C to +25°C

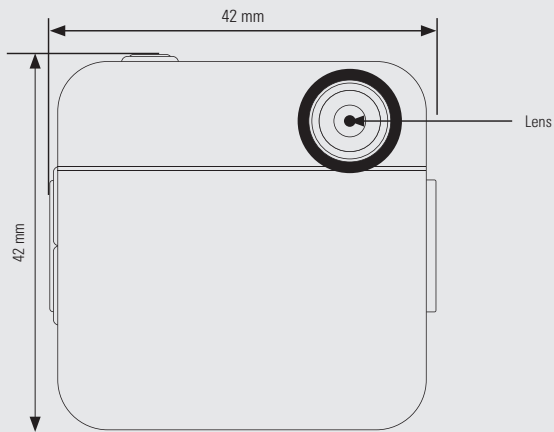
WI-FI® FEATURES

Wi-Fi Specifications	802.11 b/g/n (2.4GHz Wi-Fi)
Wi-Fi Security	WPA2-PSK
Wi-Fi Streaming	640x360 30fps Compatible with ONStream

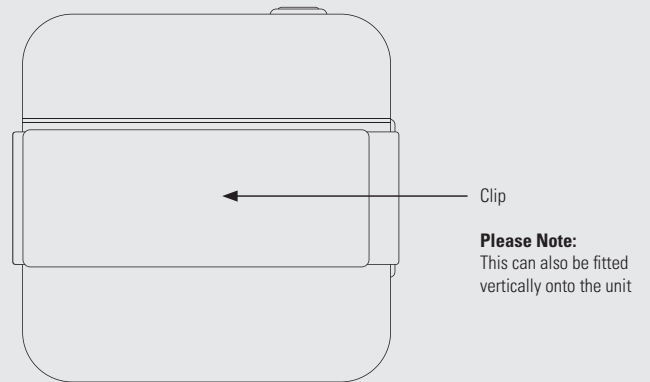
SECURITY

Network Data Security on USB Storage Media	VT50 does not appear as a USB storage device, and cannot receive files whilst connected to a Wi-Fi network
Audit Trail	Usage, operations and recording details all audit-logged and indexed
Recordings View, Copy and Deletion Ability	The VT50 wearer cannot access, view or delete any recordings directly from the camera without appropriate authorisation

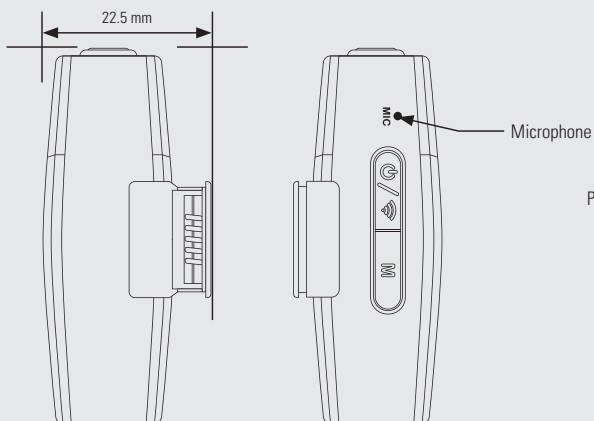
View on Front Face



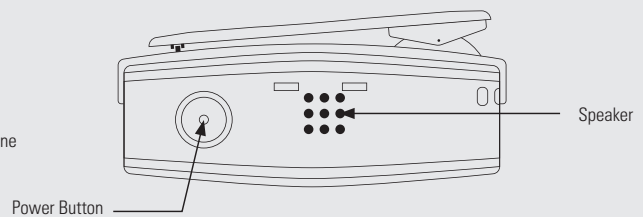
View on Back Face



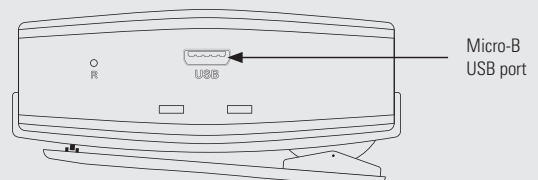
View on Side Faces



View on Top Face



View on Bottom Face



VT-50-N / VT-50-XLR-N & ACCESSORIES

VT50 (VT-50-N / VT-50-XLR-N)



Features include:

Wi-Fi streaming, Small and discreet, 16GB storage (VT50) 128GB Storage (VT50-XLR), 3 Months Standby (Instant Recording Mode), Up to 1.5 hrs of recording, or up to 1hr of live streaming & recording, 1 year return-to-base warranty. Comes with a Micro USB cable and Crocodile Clip.

PLEASE NOTE: Requires VideoManager Enterprise Licence or VideoManager Cloud Service. Please speak to your account manager for further details.

PART NUMBER: VT-50-N / VT-50-XLR-N



CHARGERS, DOCKCONTROLLERS & RFIDS

VT-50-DOCK14/UK, VT-50-DOCK14/US, VT-50-DOCK14/ROW,
VT-50-DOCK14/EU, VT-50-DOCK14/AUS

VT50 14-Port Dock

DC-200/UK, DC-200/EU, DC-200/US, DC-200/AUS, DC-200/ROW

DockController DC-200

RF-220

RFID RF-220

RF-STICKER-10

RFID Sticker-Style Tag

RF-CARD-10

RFID-Card



ATTACHMENTS, LANYARDS & REPLACEMENT CABLES

VT-50-FIX-CROC

VT50 Crocodile Clip (Spare)

AC-USB-MICROB-100

Replacement Micro USB Cable

AC-USB-DOCK-200, AC-USB-DOCK-050

Replacement USB Type A to USB Type B Cable (0.5m, 2.0m)

AC-LANYARD-05

Lanyard with 5 Breakpoints and 2 Loops



SIGMACOM

radiocommunication.ch

For more information, please visit: www.motorolasolutions.com

Rue de la Dixence 49 – CH-1950 Sion
T +41 (0)27 322 41 01 F +41 (0)27 322 41 02
info@sigma.com.ch – www.sigma.com.ch

Motorola Solutions Ltd. Nova South, 160 Victoria Street, London, SW1E 5LB, United Kingdom

Availability is subject to individual country law and regulations. All specifications shown are typical unless otherwise stated and are subject to change without notice. MOTOROLA, MOTO, MOTOROLA SOLUTIONS and the Stylized M Logo are trademarks or registered trademarks of Motorola Trademark Holdings, LLC and are used under license. All other trademarks are the property of their respective owners.
© 2020 Motorola Solutions, Inc. All rights reserved. (04/20) (ED-002-022-25)